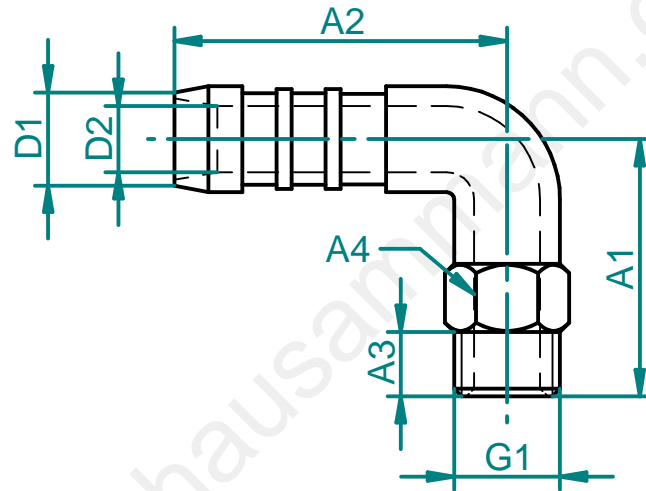


| General tolerances ISO 2768-m |      |              |                |                |                  | Index | Date | Visum | Modification | Index | Date | Visum | Modification |
|-------------------------------|------|--------------|----------------|----------------|------------------|-------|------|-------|--------------|-------|------|-------|--------------|
| Basic-size                    | ...6 | > 6<br>...30 | > 30<br>...120 | >120<br>...400 | > 400<br>...1000 |       |      |       |              |       |      |       |              |
| medium                        | ±0.1 | ±0.2         | ±0.3           | ±0.5           | ±0.8             |       |      |       |              |       |      |       |              |



| Specifications points D,K,H |  |
|-----------------------------|--|
| D= doc.points               |  |
| K= critical                 |  |
| H= main                     |  |

|   |  |  |                     |   |
|---|--|--|---------------------|---|
| Accord-draw.no.:<br>Origin-draw.no.:<br>Replacement for:      | Material:  |  |                     |   |
|   | Kunststoff   |  |                     |   |
|   | Scale  |  |                     |   |
|   | <b>HAUSAMMANN</b><br>KOMONENTEN<br>PRODUKTION<br>SYSTEME |  |                     |   |
| 38.231  |  | <b>Solid Edge</b>  | Format<br><b>A4</b> | Index<br><b>00</b>  |
| © 2010, Für dieses Dokument behalten wir uns alle Rechte vor. |  | © 2 010, Nous nous reservons tous les droits sur ce document |                     | © 2 010, We reserve all rights in connection with this document |